

# SHARP

PN-E803/PN-E703/PN-E603

Professional LCD Monitor

*Memories Are  
Made Right Here*

Furniture from the New Lifestyle Collection



DESIGNED FOR IMPACT,  
SIZED FOR FLEXIBILITY

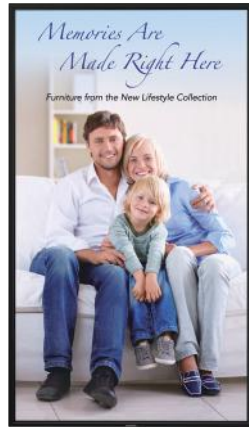


You only have seconds to grab people's attention / **This is Why** Sharp Slimline LCD Monitors can make a real impact in any space.

Sharp's PN-E range combines full-HD image quality, a stylishly thin profile, and energy efficiency to create appealing professional signage solutions for a wide range of 24/7 applications. With their sleek design, round-the-clock operation, and support for landscape and portrait installations, these displays offer an amazing degree of flexibility.

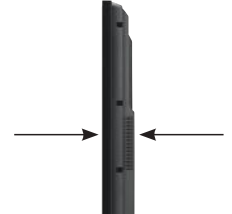
### Superb Image Quality

The LCD panels incorporate Sharp's UV<sup>2</sup>A\* technology, which offer high contrast, vivid colours and prevents light leakage and ensures highly efficient use of light from the backlight. Thanks to this technology, the monitors achieve truly bright whites and extremely deep blacks. Both models support full-HD 1080p resolution, for beautifully clear rendering of detailed text and graphics.



### Thin, Lightweight Design

PN-E803/E703/E603 monitors owe their exceptionally thin profiles to edge-lit LED backlighting. Streamlined for a pleasing appearance. The PN-E703/E603 monitors measure just 39.4 mm at their thickest whilst the PN-E803 measures only 96 mm, making for easy placement in corporate and commercial environments.



**THICKEST PART**  
96 MM (3 3/4")

### Choice of Installation Mode

The choice of three screen sizes - 80, 70, or 60 inches - means you can select the high-quality professional LCD monitor that's right for the type of content you plan to show and for your specific installation purposes. These monitors can be installed in either a landscape or a portrait orientation. Portrait mode offers the look and impact of a poster, while landscape mode puts wide images on vivid display. Optimise your choice and maximise your audience impact.

### The Reliability of 24/7 Operation

Designed with demanding environments in mind where a need for 24/7 operation is essential – the PN-E models are built with a temperature management system – making this display perfect for prolonged operation.

### Dual-Screen Display

PiP (Picture-in-Picture) mode allows an AV-sourced image to be displayed within a PC-sourced one (or vice versa), whereas PbyP (Picture-by-Picture) mode puts images from AV and PC sources side by side for split-screen viewing.

### Mirror Display Mode (Daisy Chain\*)

With Mirror Display mode, the same image can be displayed on a daisy chain of PN-E803/E703/E603 monitors for the powerful impact of image repetition. A maximum of 25 monitors\*\* can be daisy-chained via DisplayPort, and up to five monitors via DVI-D cable.

### Designed for Energy Efficiency

Edge-lit LED backlighting on the PN-E803/E703/E603 monitors help to ensure reliable performance with low power consumption. Compared to a traditional CCFL-backlight display, the PN-E703 consumes roughly 44% less energy and the PN-E603 consumes 55% less. What's more, the PN-E603 also conforms to the ENERGY STAR® programme.

### Enlarge (Zoom) Display Mode

Multiple monitors can be grouped together to display a single enlarged image in Enlarge (Zoom) Display mode, which corrects the framing of the image to eliminate misalignment between monitors.

\* UV<sup>2</sup>A stands for Ultraviolet-induced Multi-domain Vertical Alignment, a photo-alignment technology that ensures uniform alignment of liquid crystal molecules.

\*\* Up to 25 for non-HDCP-encoded content; four for HDCP-encoded content.

### A Variety of Input/Output Terminals

PN-E803/E703/E603 monitors come standard-equipped with a wealth of input and output terminals—including DisplayPort and DVI-D—that allow easy connection with various types of equipment.

### Fanless Architecture

Fanless architecture maintains airflow and dissipates heat without the use of mechanical air-ventilation fans, which can attract dust and create noise. This fanless design also facilitates monitor maintenance.



### Built in Speaker

Built-in speakers eliminate the need for external speakers and keep the PN-E803/E703/E603 monitors stylishly streamlined. The speakers emit sound from both sides of the monitors, making them ideal for conveying audio information and playing location-appropriate background music.

### ID setting

Thanks to an RS-232C interface, PN-E803/E703/E603 monitors can be easily controlled and monitored from a central location via a PC. Each monitor can be assigned an individual ID code that species it when remotely turning it on or off, switching its input, or making various screen adjustments and settings to it.

### Built-In Temperature Sensor

Should the temperature inside the monitor rise, a built-in sensor will detect it, and the backlight system will automatically make adjustments to keep the temperature at the desired operational level\*.



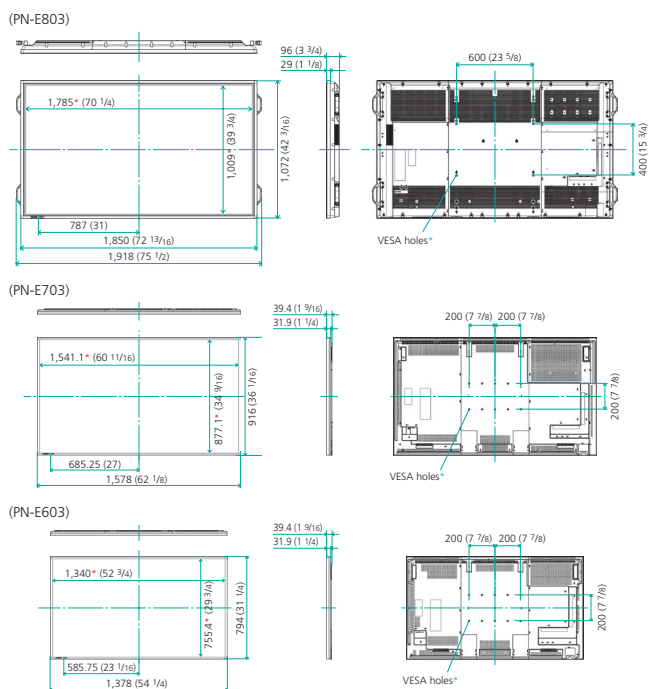
\* The monitor automatically goes into standby mode when the internal temperature remains consistently above the designated operational level.



# Specifications

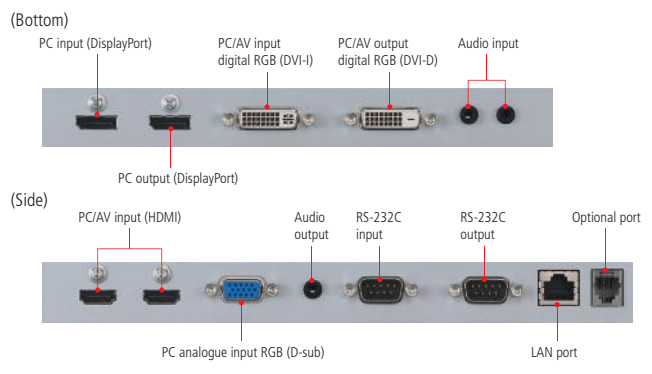
Model	PN-E803	PN-E703	PN-E603	
<b>Installation</b>	Landscape / Portrait			
<b>LCD Panel</b>	80-inch widescreen (203.2 cm diagonal) UV <sup>2</sup> A LCD	70-inch widescreen (176.6 cm diagonal) UV <sup>2</sup> A LCD	60-inch widescreen (152.5 cm diagonal) UV <sup>2</sup> A LCD	
	<b>Max. Resolution</b>	1,920 x 1,080 pixels		
	<b>Max. Display Colours</b> (approx.)	1.06 billion colours		
	<b>Pixel Pitch</b> (H x V)	0.923 x 0.923 mm	0.802 x 0.802 mm	0.692 x 0.692 mm
	<b>Max. Brightness</b> (average)* <sup>1</sup>	470 cd/m <sup>2</sup>	450 cd/m <sup>2</sup>	
	<b>Contrast Ratio</b> * <sup>2</sup>	5,000 : 1	4,000 : 1	
	<b>Viewing Angle</b> (H/V)	176°/176° (CR≥10)		
	<b>Active Screen Area</b> (W x H)	1,771.2 x 996.3 mm (69 3/4" x 39 1/4")	1,538.9 x 865.6 mm (60 9/16" x 34 1/16")	1,329.1 x 747.6 mm (52 3/16" x 29 7/16")
<b>Computer Input</b>	<b>Response Time</b>	4 ms (grey to grey, avg.)		
	<b>Backlight</b>	LED, full-array		
	<b>Video</b>	Analogue RGB (0.7 Vp-p) [75Ω], Digital (conforms to DVI 1.0 standards), DisplayPort x 1		
	<b>Synchronisation</b>	Horizontal/vertical separation (TTL: positive/negative), Sync on green, Composite sync (TTL: positive/negative)		
<b>Power Management</b>	<b>Plug &amp; Play</b>	VESA DDC2B		
	<b>Power Management</b>	VESA DPMS, DVI DMPM		
	<b>Video Colour System</b>	NTSC (3.58 MHz, 4.43 MHz), PAL, PAL60, SECAM		
<b>Input Terminals</b> * <sup>3</sup>	DisplayPort x 1, DVI-I x 1, Mini D-sub 15-pin x 1, HDMI x 2*, 3.5 mm-diameter mini stereo jack x 2, RS-232C x 1			
<b>Output Terminals</b> * <sup>3</sup>	DisplayPort x 1 (supports video signals only), DVI-D x 1, 3.5 mm-diameter mini stereo jack x 1, RS-232C x 1			
<b>Input/Output Terminals</b> * <sup>3</sup>	LAN port x 1			
<b>Speaker Output</b>	10 W + 10 W			
<b>Power Supply</b>	100V – 240V AC, 50/60 Hz			
<b>Power Consumption</b>	280 W	225 W	180 W	
<b>Environmental Conditions</b>	<b>Operating Temperature</b>	0°C to 40°C		
	<b>Operating Humidity</b>	20% to 80% RH (no condensation)		
<b>Dimensions (W x D x H)</b> (approx.) (display only)	1,850 x 96 x 1,072 mm (72 13/16" x 1 3/4" x 36 3/16")	1,578 x 39.4 x 916 mm (62 1/8" x 1 9/16" x 36 1/16")	1,378 x 39.4 x 794 mm (54 1/4" x 1 9/16" x 31 1/4")	
<b>Weight</b> (approx.) (display only)	57 kg (125.7 lbs)	43 kg (94.8 lbs)	32 kg (70.5 lbs)	
<b>Main Accessories</b>	Power cord, remote control unit, battery (AA size) x 2, set-up manual, vertical sticker (logo), vertical sticker (operation panel)* <sup>4</sup> cable clamp, CD-ROM			

## Dimensions



Units: mm (inch)  
 \* Screen dimensions \* To use the VESA-standard mounting bracket, use M6 screws that are 8 to 10 mm plus the thickness of the bracket.

## Input/Output Terminals



## Notes

\*1 Brightness will depend on input mode and other picture settings. Brightness level will decrease over time. Due to the nature of the equipment, it is not possible to precisely maintain a constant level of brightness. \*2 Use a commercially available connection cable for PC and other video connections. \*3 For both PC and AV components. \*4 For PN-E803 only.

Windows is either a registered trademark or trademark of Microsoft Corporation in the US and/or other countries. DisplayPort and the DisplayPort Compliance Logo are trademarks owned by the Video Electronics Standards Association in the US and other countries. The terms HDMI and HDMI High-Definition Multimedia Interface, and the HDMI Logo are trademarks or registered trademarks of HDMI Licensing, LLC in the United States and other countries. All other brand names and product names may be trademarks or registered trademarks of their respective owners. The ENERGY STAR logo is a certification mark and may only be used to certify products that have been determined to meet the ENERGY STAR program requirements. ENERGY STAR is a US registered mark. The ENERGY STAR guidelines apply to products only in the US, the EU, Japan, Canada, Australia, New Zealand, and Taiwan. All screen images appearing in this brochure are simulated. DESIGN AND SPECIFICATIONS ARE SUBJECT TO CHANGE WITHOUT PRIOR NOTICE.

# This is Why

www.sharp.eu

# SHARP

